

MP / MPS

Signal Tower



LED



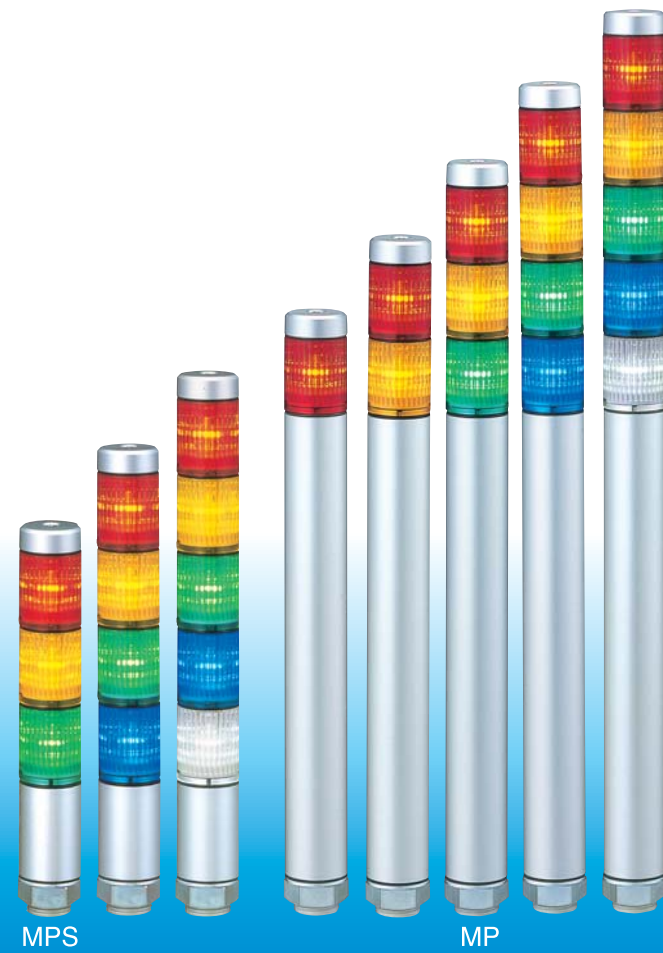
Cabtyre
(Special order)



∅30

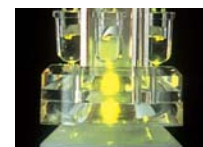
IP65

NPN/PNP
Open collector



Patented reflection system increases visibility.

Super slim 30mm silver body Signal Tower ideal for small devices.



High intensity LED



Good visibility from any direction

- PATLITE's Exclusive Hybrid Prism Cut Lens: For enhanced visibility from any direction and distance.
- Double Insulation: For enhanced durability and safety in the work environment.
- Installation: Direct mount with a single hole.
- Interchangeable LED module: No re-wiring even after installation.
- Main Body: Superior impact and heat resistant ABS resin.
- Lens: Superior weather resistant and light translucent AS resin.
- Available Colors: Red, Amber, Green, Blue, Clear/White.
- Conforms to the CE requirements.
- UL Recognized Component (File No. E215660)

Available by Special Order

- Cabtyre Cable: Versatile and flexible 3m cable.
- All Clear Lens: Distinctive color recognition when operated (B0738 type).

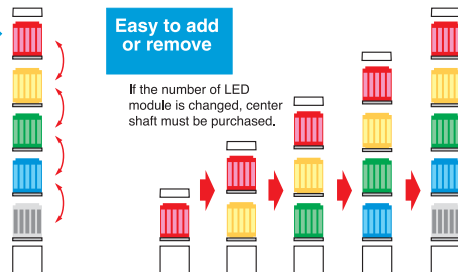
- Available Colors: Red, Amber, Green, Blue, Clear/White.

Interchangeable LED modules

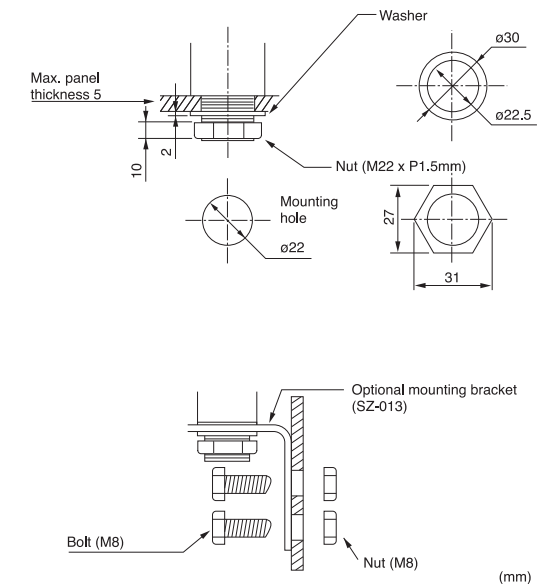
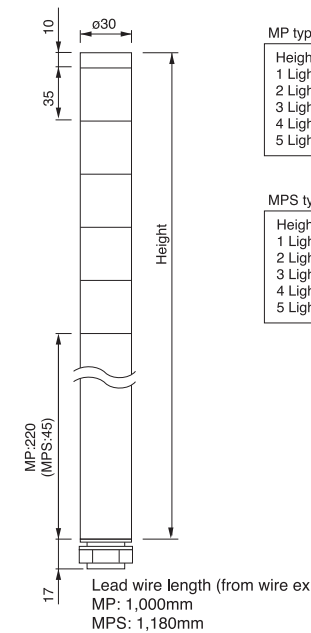
- Changeable color sequence: Easy to add/remove up to 5 colored modules even after installation.
- Note: LED modules of the same color will light up simultaneously.

The wiring remains the same.

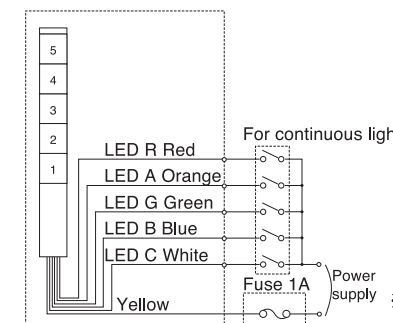
Each color of LED module corresponds to the lead wire color.



Dimensions



Wiring Diagram



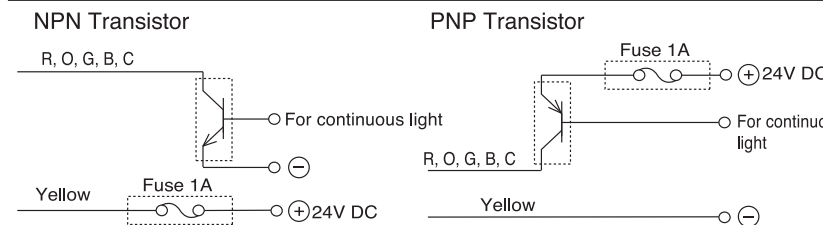
Signal line voltage and current per LED module

Rated Voltage	Signal Line Voltage	MP/MPS Signal Line Current	Color of LED Unit / Color of Lead Wire	
			Color of LED Unit	Color of Lead Wire
24V AC/DC	24V DC	R,A: 30mA G,B,C: 25mA	Red	Red
			Amber	Orange
			Green	Green
			Blue	Blue
			Clear	White

※ MP/MPS has no polarity.

Note: See page 169 for wiring diagram

24V DC: NPN / PNP Transistor



Transistor Capacity

Model	MP/MPS Transistor (NPN/PNP)
Current Capacity	I _c ≥ 50mA
Withstanding Voltage	V _c ≥ 35V
Current Leakage	I _l < 0.1mA

MP / MPS Type

Light Style	Model	Rated Voltage	Power Consumption
1 Light	MP/MPS-102	24V AC/DC	0.7W
2 Lights	MP/MPS-202	24V AC/DC	1.4W
3 Lights	MP/MPS-302	24V AC/DC	2.0W
4 Lights	MP/MPS-402	24V AC/DC	2.6W
5 Lights	MP/MPS-502	24V AC/DC	3.2W

How to Order

